



MODEL SLD-1 SINGLE CHANNEL (ONE GAS) GAS DETECTOR

ACROMET

www.acromet.com.au

MODEL SLD-1 GAS DETECTOR SINGLE CHANNEL (ONE GAS)

GENERAL DESCRIPTION

The Acromet Model SLD-1 Gas Detector is a state-of-the-art, microprocessor controlled instrument capable of detecting Chlorine, Sulphur Dioxide, Ammonia, and Ozone gasses at levels far below the threshold of human awareness. Acromet Single Point Gas Detectors are an “operator friendly” and economical way to protect personnel and property. The detector will monitor gas levels well below OSHA requirements, and activate warning devices when threshold levels are reached.

The Model SLD-1 Gas Detector consists of a Controller/alarm module, and a remote gas sensor module which can be located up to 305 meters away (1000 feet) from the controller. The sensor responds immediately to the presence of gas, and recovers very quickly when the gas has cleared. The controller/alarm module is housed in a NEMA-4X enclosure. Many features which are extra cost options in other gas detectors are standard with the SLD-1.



FEATURES

- User-friendly key pad interface with functions indicated by individual menu display screens.
- 16-character by 2-line display, with green LED back light for easy reading, even in low light areas.
- NEMA-4X controller enclosure.
- 95 dB internal alarm horn.
- Event alarm log records up to 256 events, with time and date, which can be viewed on the display or downloaded from the optional serial port.
- Sensor life and calibration reminder timers.
- Sensor life and calibration reminder timers.
- 4-20 mA gas level monitor output.
- Password protection for all parameter settings.
- High, Low, Latching and Non-Latching alarm relays.
- Two level alarm settings for “Warning” and “Danger” gas levels.
- All alarm relays are user adjustable for N/O, N/C, Latch or Non-Latch.
- Remote alarm acknowledgement of any alarms up to 76 meters (250 ft) from the controller.
- Flashing backlight screen when alarm acknowledgement is required.

APPLICATION

The Acromet Model SLD-1 is designed for use in:

- Wastewater treatment plants
- Water purification plant
- Swimming pools

APPLICATION continued

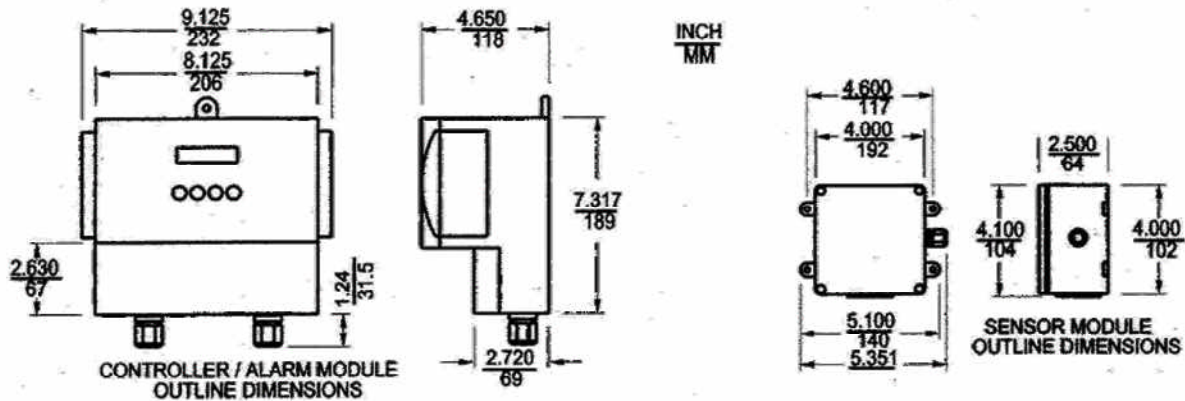
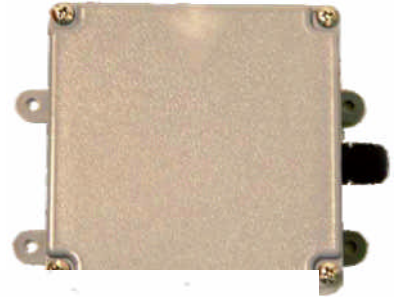
- Cooling towers – air scrubbers
- Food and beverage processing
- Chemical processing

Acromet design provides ease of operation with top performance. The Acromet Series SLD-1 Gas Detector can be placed where most convenient for the operator for ease of use while the gas sensor can be placed in the monitored environment up to 305 meters (1000 feet) away.

Materials used in manufacturing the Acromet Series SLD-1 Gas Detectors have been carefully selected for their superior quality and performance in situations and conditions far more extreme than conditions to be encountered in actual use.

AVAILABLE OPTIONS

- Internal Battery backup with charger. An external UPS may also be used to allow full function operation over extended power outages.
- RS232 serial port for downloading data.



TECHNICAL SPECIFICATIONS

Sensor Inputs (Analogue Inputs)		Relays & I/O	
Maximum Number of Gas Sensors:	One	Type:	Form-A (N/O)
Gas Sensor Signal:	Current Loop (4-20 mA)	Maximum Current Rating:	5A (resistive)
Loop Voltage::	15V, short circuit protected	Suppression:	275V, 10J, MOV
Maximum Sensor Distance:	305 meters (1000 feet)	Voltage:	250VAC / 30 VDC
Sensor Outputs (Analogue Outputs)		Quality:	3 (1 Danger, 1 Warning, 1 Alarm)
Signal Type:	4-20 mA	Remote Acknowledgement Switch:	Yes
Voltage Compliance:	12 V	Horn Output:	Yes: 10-24V
Maximum Load:	600?		
Minimum Load:	0?		
Number of Outputs:	One	Power Supply	
Computer & Display		A.C. Line Voltage (115V):	85V – 130V
Microcontroller:	68HC12 type	A.C. Line Voltage (230V):	170V – 250V
ROM:	128K, FLASH	Power:	12W
ROM upgradable in Field:	Yes	Optional D.C. Supply:	Sealed NiMh
Real-time Clock:	Yes		
RS232 Port:	2 (one standard, one optional)	Environmental	
Display:	LCD, 2-Line, 16 char./line, backlit	Operating Temperature:	0°C to 50°C (32°F to 122°F)
Pushbuttons:	Four, tactile dome type	Humidity:	2%, non-condensing

Acromet (Aust) Pty Ltd

14 Winterton Road, Clayton, Victoria 3168
 Ph: (03) 9544 7333 • Fax: (03) 9543 6706
 Email: chemex@acromet.com.au

Suite 302, 63-79 Parramatta Road, Silverwater, NSW 2128
 Ph: (02) 9647 2432 • Fax: (02) 9647 2599
www.acromet.com.au